

GD275-350

GD450-600

TUMBLE DRYERS



Costs optimization

It reduces consumption thanks to the thermal insulation. Drum and air ducts are thermally insulated to reduce the heat loss and make the most of the warm air. Furthermore, to achieve a more efficient drying, the air follows a direct path, without vortices.

Time saving

It saves time with the drying diagram. The drying steps runs, as the cycle progresses, time and temperature in three separate steps. It will save you up to 12 minutes each cycle, that allows to run about additional 3-4 cycles every 8 hours.

Recycling rates

92% of recyclability rate. An eco-friendly dryer until its disposal. Our machine is made almost completely of recyclable material, such as PVC (skinplate), and therefore has low environmental impact even when you decide to change it.

Usability

It assures an ease of use thanks to the porthole with a wide opening. The dryers have a strictly ergonomic design: the large porthole ensures an ease and speed loading and unloading of laundry. Less wasted time and more attention to the user.

Low noise level

Sssst! Only 54dB of acoustic emission. GD WAVY dryers have a low noise impact. This means more comfortable use and less impact on the surrounding environment.

High quality materials

It required less maintenance thanks to the high-quality materials selected. The gas dryers, for example, have titanium burners that withstand high temperatures. The electric models use tubular resistances made of anti-clogging INCOLOY® steel. In the steam dryers the heating coils are protected by filters made of steel that block the dust. Finally, the gaskets made of EPDM® rubber and the long-lasting belts ensure efficacy over time.

Precision drying. Standard!

The dryer adjusts its actions progressively according to the type of load and the degree of drying achieved. The dryers GD WAVY can thus respond to different working conditions thanks to the drying diagram - innovation that Grandimpianti i.l.e. has introduced on its machine since 2008 - which is a dynamic process. The device requires about 1 kW per kg of linen, with a low environmental impact, exploiting fully the hot incoming air, so as to never exceed 50° C at the exhaust.



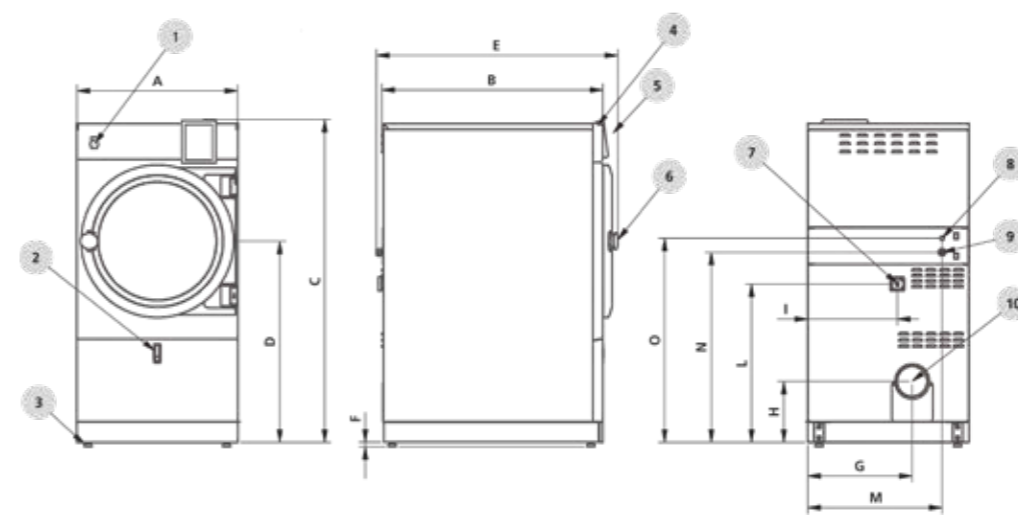
The powerful fan, placed in an air spiral with an innovative design, ensures fast, fluid and silent air flow to the outside.



Double protection. GD WAVY tumble dryer has a safety thermostat placed at the exhaust to always monitoring the flue temperature, in addition to the adjustable T2 managed directly by WAVY control.

CHARACTERISTICS	GD275	GD350	GD450	GD600
Capacity ratio 1:25 / 1:20 / 1:18 kg*	11 / 14 / 15.3	14 / 17.5 / 19.5	18 / 22.5 / 25	24 / 30 / 33.3
Noise level (dB)	<55	<55	<55	<55
Control	WAVY			
Inversion / variation in speed	Standard / Optional			
Basket material	Aluminium coated / Stainless Steel			
Air filtering mode	Stainless Steel mesh			
Type of transmission	Belts with inversion / Belts with inversion and speed variator / Direct DRIVE with inversion/ Direct DRIVE with inversion and speed variator			
Motor power with inversion (kW)	0.75 (vacuum) 0.37 (drum)	0.75 (vacuum) 0.37 (drum)	1.1 (vacuum) 0.55 (drum)	1.1 (vacuum) 0.55 (drum)
Motor power direct drive (kW)	0.75 (vacuum) 0.37 (drum)	0.75 (vacuum) 0.37 (drum)	1.1 (vacuum) 0.75 (drum)	1.1 (vacuum) 0.75 (drum)
Payment systems	Simple coin operation / Electronic coin operation / Payment system / Other systems available upon request			
Electric power (kW)	15/10.5/18	18/10.5/15	15+15/10.5+10.5/10.5+15	15+15/10.5+10.5/10.5+15
Gas power (kW)	13-18 double stage	13-18 double stage	16-24 double stage	16-24 double stage
Steam power (kW)	15	15	25	25
Power supply	220-240V 1~50/60Hz 230-240V 3~50/60Hz 380-415V 3N 50/60Hz 440-480V 3~60Hz		230-240V 3~50/60Hz 380-415V 3N 50/60Hz 440-480V 3~60Hz	
Net/gross weight without inversion (kg)	205 / 215	205 / 215	276.5 / 291.5	296 / 311
Net/gross weight with inversion (kg)	215 / 225	225 / 235	286.5 / 301.5	306 / 321
Porthole diameter (mm)	612	612	612	612

Provide GFCI (differential switch) Class "B" once the appliance is installed.



- 1 Emergency button (opt.)
- 2 Filter panel lock
- 3 Feet
- 4 Aesthetic angle closure
- 5 Dashboard
- 6 Handle
- 7 Disconnecter
- 8 Gas supply
- 9 Power supply
- 10 Flue discharge
Ø150mm (275-350)
Ø200mm (450-600)

	A	B	C	D	E	F	G	H	I	L	M	N	O
GD275 (mm)	795	920	1590	1000	1030	25	515	300	442	780	563	938	1008
GD350 (mm)	795	1085	1590	1000	1195	25	515	300	442	780	563	938	1008
GD450 (mm)	970	990	1810	1090	1100	25	710	430	617	880	790	1030	1080
GD600 (mm)	970	1205	1810	1090	1315	25	710	430	617	880	790	1030	1080
	Width	Depth	Height										

GD275-350-450-600 rel.01 REF.GR00000000H007-GDZ
The manufacturer declines all responsibility for any inaccuracies contained in this catalogue. The manufacturer reserves the right to bring, without warning, any modifications he might believe necessary, without changing the essential characteristics of the product.

Grandimpianti I.L.E. Ali Group S.r.l. a Socio Unico
via masiere, 211/c - 32037 sospiolo (BL) Italy
ph. +39 0437 848 711 - fax +39 0437 879 108
www.grandimpianti.com - info@grandimpianti.com



COMPANY WITH
MANAGEMENT SYSTEM
CERTIFIED BY DNV GL
= ISO 9001 =
- ISO 14001 -

an Ali Group Company



The Spirit of Excellence