

HIGH EFFICIENT SOFT MOUNTED WASHER EXTRACTORS

AF180 AF240 AF280

FEATURES

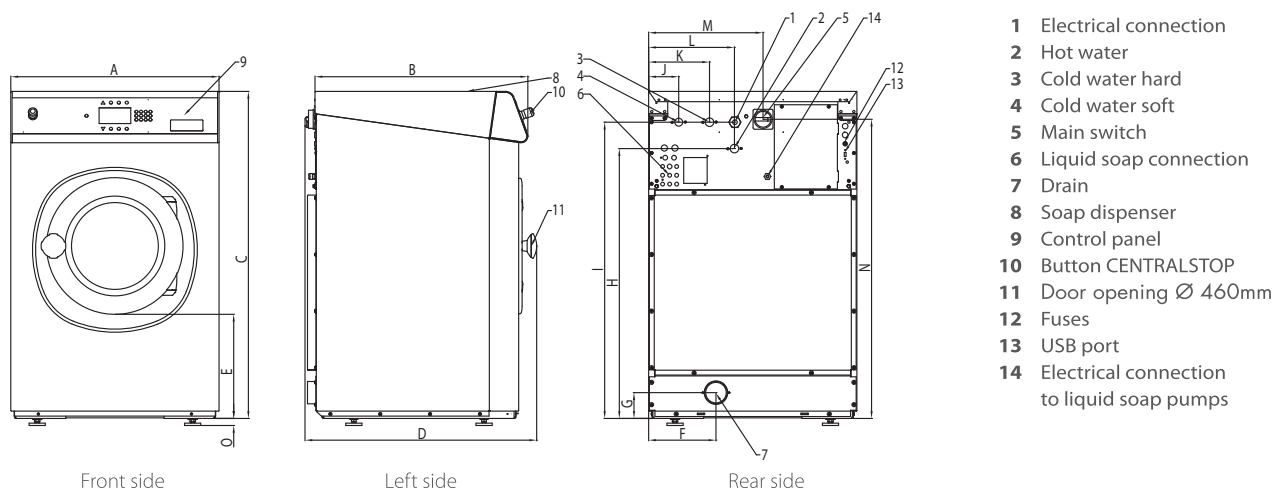
- Freestanding, high spin
- Stainless steel top panel & Anthracite grey front and side panels
- Stainless steel drum and tub
- Xcontrol - easy to use microprocessor
- Patented Soap Hopper
- High capacity water inlets (AF280)
- Large drain valve (Ø 76 mm)
- Easy access to all vital parts from the front
- Large door opening for easy loading & unloading

OPTIONS

- Xcontrol Plus
 - Fully programmable
- Coin operated timer (CPS)
- Stainless steel front and side panels
- USB plug (on the back panel)
- Easy Soap - liquid soaps connection
- Liquid soap pumps
- Water recovery kit
- Steam heating version
- High capacity water inlets (AF180, AF240)



TYPE		AF180	AF240	AF280
INNERDRUM				
capacity	kg	18	24	28
volume	litres	180	240	280
diameter	mm	750	750	750
DRUM SPEED				
wash	rpm	42	42	42
extraction	rpm	980	980	915
G-FACTOR		400	400	350
HEATING				
electricity (standard)	kW	12/18	18	22
steam	bar	1-8	1-8	1-8
hot water	°C	90	90	90
WEIGHT, NET	kg	380	430	470
Sound pressure level	dB (A)	<65	<65	<65
Water valves connection	BSP	3/4"	3/4"	3/4"
Water pressure	kPa	100-800	100-800	100-800
Rec. water pressure	kPa	300-500	300-500	300-500
Water inlet	l/min	20	20	20-50
Drain valve	outer Ø mm	76	76	76
Flow amount with drain valve	l/min	210	210	210
Steam valve connection	BSP	1/2"	1/2"	1/2"
Steam pressure	kPa	100-800	100-800	100-800
WEIGHT, GROSS	kg	395	450	515



DIMENSIONS

	A	B	C	D	E	F	G	H	I	J	K	L	M	N	O
AF180	970	906	1410	970	477	270	108,5	1215	1305	102,5	207,5	292,5	610	1315	24
AF240	970	1041	1410	1105	477	270	108,5	1215	1305	102,5	207,5	292,5	610	1315	24
AF280	970	1185	1410		477	270	108,5	1215	1305	102,5	207,5	292,5	610	1315	24
	width	depth	height												



Lavamac preserves the right to change the machines and the specification in this leaflet at any time, without prior notice. Details and photographs are only for information and never binding.